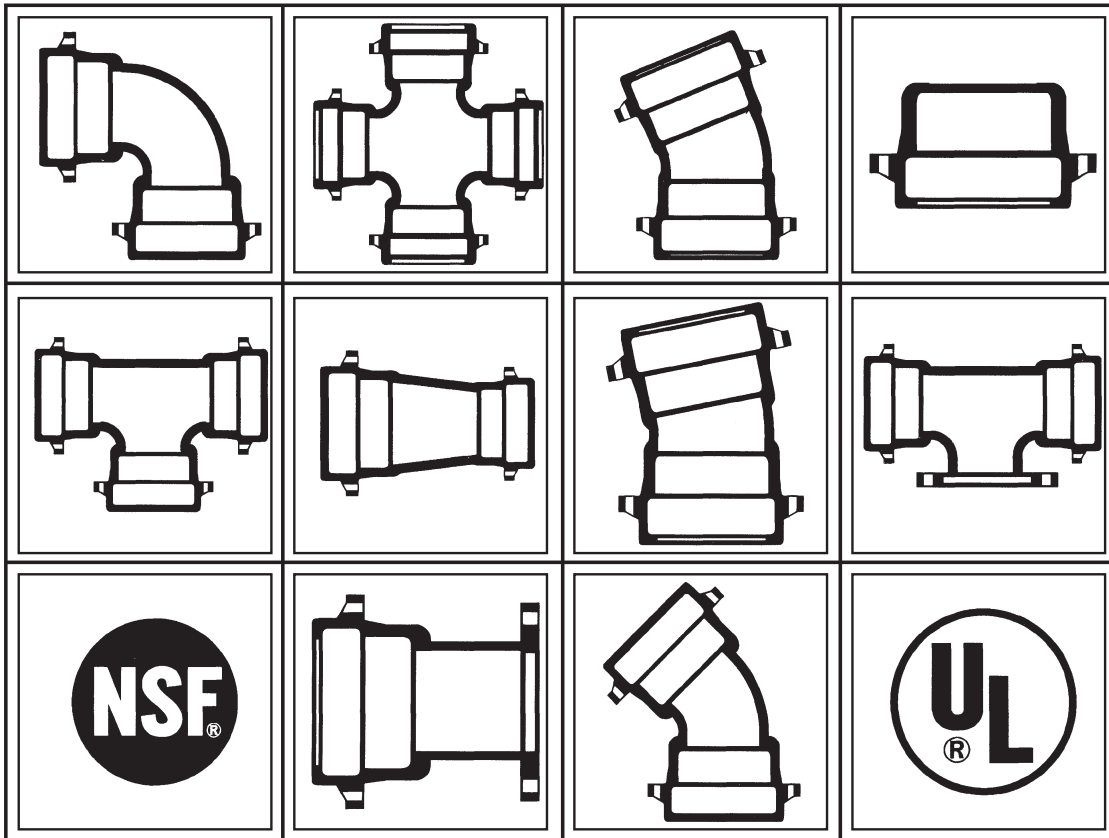


NORTH AMERICAN CAST IRON PRODUCTS

SPECIFICATIONS

COMPACT DUCTILE-IRON PUSH-ON FITTINGS CLASS 350 4"-12"



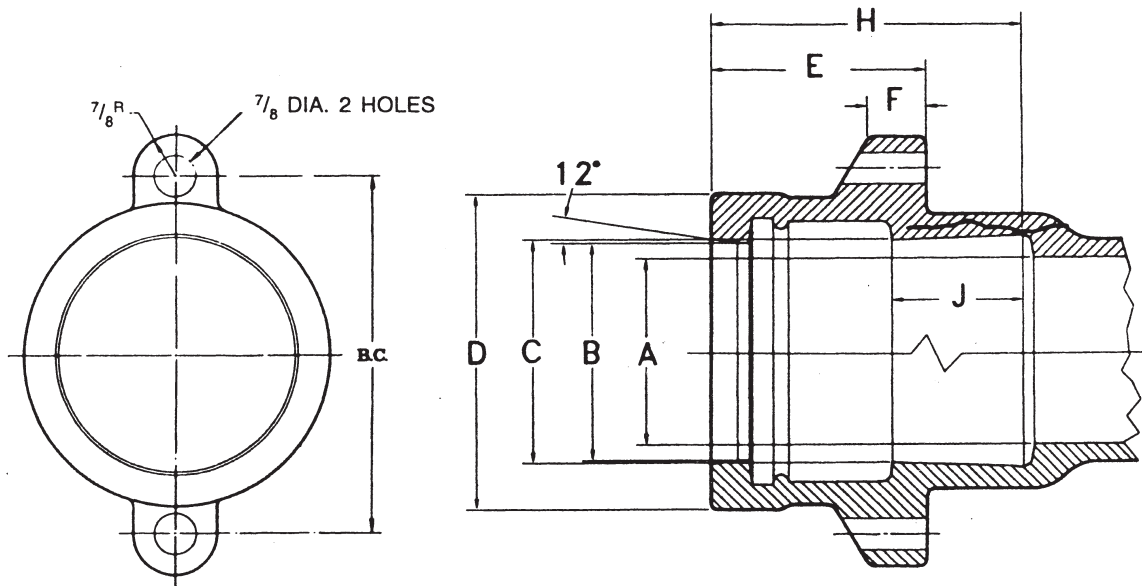
**COMPACT DUCTILE IRON
PUSH-ON JOINT FITTINGS
IN ACCORDANCE WITH
AWWA C153/A21.53**

MATERIAL	Ductile Iron ASTM A 536
PRESSURE	350 psi working water pressure
TESTING	Three times wwp (350 psi) - body capable of withstanding hydrostatic test of 1050 psi.
FLOW CHARACTERISTICS	I. D. equal to I. D. of Class 50/51 Ductile Iron pipe thus allowing the Full Flow feature.
LAYING LENGTH	Short body design - straight section of body deleted to provide a more compact and less heavy fitting without reducing strength or flow characteristics.
CEMENT LINING	In accordance with AWWA C104 (ANSI A21.4)
GASKETS	SBR in accordance with AWWA C111 (ANSI A21.11)
APPROVALS	3" - 12' Underwriters Laboratories Listed

* NACIP EXTRA HEAVY EAR LUG DESIGN WITH TAPERED FRONT FACE OFFERS ADDITIONAL STRENGTH AND FLAT BACK SECTION FOR HEAVY HEX NUTS TO FIT EASILY.

PUSH-ON JOINT DIMENTIONS

FOR USE WITH:
4" - 12" AWWA DUCTILE IRON PIPE
4" - 12" C-9000 PVC PIPE



SIZE	A	B	C	D	B.C	H	J	E	F
4	4.28	4.89	5.00	6.54	7.68	4.00	1.96	2.12	1.00
6	6.40	6.99	7.12	8.65	9.81	4.00	1.96	2.12	1.00
8	8.51	9.14	9.28	10.94	12.06	4.50	2.14	2.75	1.12
10	10.52	11.19	11.32	13.00	14.12	4.50	2.06	2.88	1.25
12	12.58	13.29	13.44	15.35	16.50	5.00	2.36	3.00	1.25

ALL DIMENSIONS IN INCHES.

All fittings furnished with gaskets, cement lined and tar coated in accordance with AWWA/ANSI C104/A21.4 unless otherwise specified.

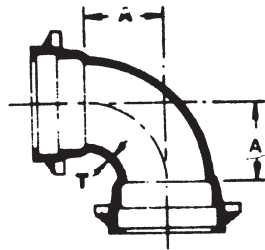
1460, Livingston Avenue (Building #300)
North Brunswick, New Jersey 08902
Ph : 732-745-7900, Fax : 732-745-7903

8730, Ley Road
Houston, Texas - 77028
Ph : 713-633-1063, Fax : 713-633-1896

Capitol Foundry of Va.Inc
2856 Crusader Circle, Virginia Beach Va. 23453
Ph. : 757-427-9431, Fax : 757 -427-9308

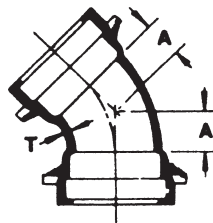
Toll Free: 888-506-6217, Phone: 732-745-7900 Fax: 732-745-7903, E-mail : sales@nacipinc.com, Website : www.nacipinc.com

BENDS



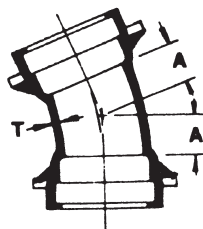
90° BEND

SIZE	A	T	WGT. (lbs.)
4	4.0	.34	31
6	5.0	.36	46
8	6.5	.38	73
10	7.5	.40	115
12	9.5	.42	151



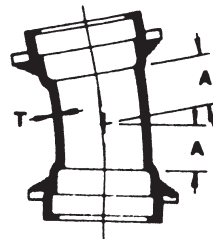
45° BEND

SIZE	A	T	WGT. (lbs.)
4	2.0	.34	26
6	3.0	.36	39
8	3.5	.38	62
10	4.5	.40	87
12	5.5	.42	123



22½° BEND

SIZE	A	T	WGT. (lbs.)
4	1.5	.34	26
6	2.0	.36	41
8	2.5	.38	57
10	3.0	.40	88
12	3.5	.42	125



11¼° BEND

SIZE	A	T	WGT. (lbs.)
4	1.25	.34	27
6	1.50	.36	42
8	1.75	.38	68
10	2.00	.40	95
12	2.25	.42	137

All Weights Shown Are Approximate Shipping Weights

All fittings furnished with gaskets, cement lined and tar coated in accordance with AWWA/ANSI C104/A21.4 unless otherwise specified.

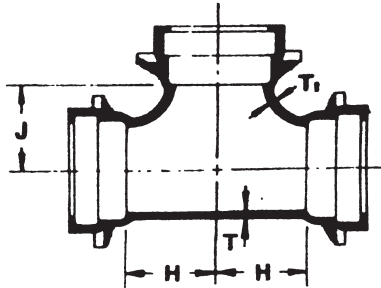
1460, Livingston Avenue (Building #300)
North Brunswick, New Jersey 08902
Ph : 732-745-7900, Fax : 732-745-7903

8730, Ley Road
Houston, Texas - 77028
Ph : 713-633-1063, Fax : 713-633-1896

Capitol Foundry of Va.Inc
2856 Crusader Circle, Virginia Beach Va. 23453
Ph. : 757-427-9431, Fax : 757-427-9308

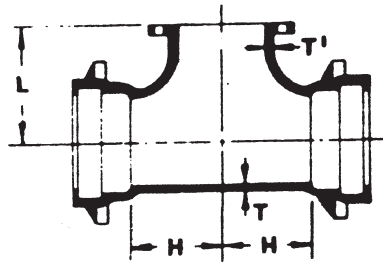
Toll Free: 888-506-6217, Phone: 732-745-7900 Fax: 732-745-7903, E-mail : sales@nacipinc.com, Website : www.nacipinc.com

TEES



PO X PO X PO

SIZE	H	J	T	T1	WGT. (lbs.)
4 x 4	4.00	4.00	.34	.34	46
6 x 4	4.00	4.00	.36	.34	58
8 x 4	5.00	5.00	.36	.36	66
8 x 6	5.00	6.50	.38	.36	103
8 x 8	6.50	6.50	.38	.38	109
10 x 4	4.00	7.50	.40	.34	118
10 x 6	5.00	7.50	.40	.36	129
10 x 8	6.00	7.50	.40	.38	141
10 x 10	7.50	7.50	.40	.40	145
12 x 4	4.00	8.75	.42	.34	155
12 x 6	5.00	8.75	.42	.36	164
12 x 8	6.00	8.75	.42	.38	166
12 x 10	7.50	8.75	.42	.40	175
12 x 12	8.75	8.75	.42	.42	193



PO X PO X FLG

SIZE	H	J	T	T1	WGT. (lbs.)
4 x 4	4.00	4.00	.34	.34	46
6 x 4	4.00	4.00	.36	.34	58
8 x 4	5.00	5.00	.36	.36	66
8 x 6	5.00	6.50	.38	.36	103
8 x 8	6.50	6.50	.38	.38	109
10 x 4	4.00	7.50	.40	.34	118
10 x 6	5.00	7.50	.40	.36	129
10 x 8	6.00	7.50	.40	.38	141
10 x 10	7.50	7.50	.40	.40	145
12 x 4	4.00	8.75	.42	.34	155
12 x 6	5.00	8.75	.42	.36	164
12 x 8	6.00	8.75	.42	.38	166
12 x 10	7.50	8.75	.42	.40	175
12 x 12	8.75	8.75	.42	.42	193

All fittings furnished with gaskets, cement lined and tar coated in accordance with AWWA/ANSI C104/A21.4 unless otherwise specified.

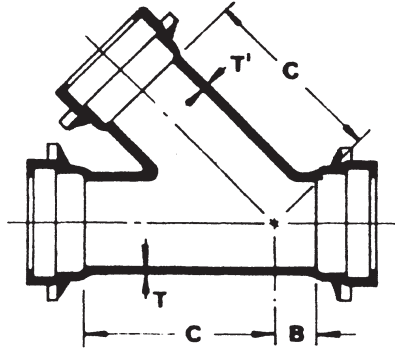
1460, Livingston Avenue (Building #300)
North Brunswick, New Jersey 08902
Ph : 732-745-7900, Fax : 732-745-7903

8730, Ley Road
Houston, Texas - 77028
Ph : 713-633-1063, Fax : 713-633-1896

Capitol Foundry of Va.Inc
2856 Crusader Circle, Virginia Beach Va. 23453
Ph. : 757-427-9431, Fax : 757-427-9308

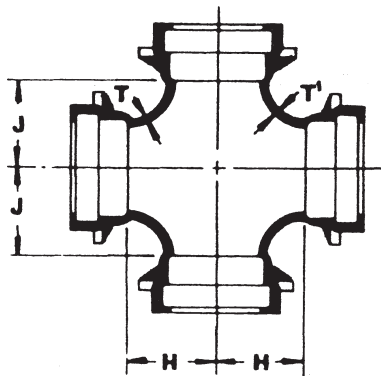
Toll Free: 888-506-6217, Phone: 732-745-7900 Fax: 732-745-7903, E-mail : sales@nacipinc.com, Website : www.nacipinc.com

45° LATERAL



SIZE	B	C	T	T1	WGT. (lbs.)
4 x 4	2.5	9.5	.34	.34	49
6 x 4	1.5	11.0	.36	.34	80
8 x 4	3.0	13.0	.36	.36	88
8 x 6	.5	13.0	.38	.34	110
8 x 8	2.0	14.5	.38	.36	123
10 x 4	3.5	16.0	.38	.38	129
10 x 6	1.0	16.0	.40	.36	163
10 x 8	2.5	17.0	.40	.38	169
10 x 10	3.5	19.0	.40	.40	179
12 x 6	1.5	18.5	.42	.36	249
12 x 8	1.5	18.5	.42	.38	273
12 x 10	3.0	20.0	.42	.40	298
12 x 12	4.5	22.5	.42	.42	317

CROSS



SIZE	H	J	T	T1	WGT. (lbs.)
4 x 4	4.0	4.0	.34	.34	56
6 x 4	4.0	5.0	.36	.34	73
8 x 4	5.0	5.0	.36	.36	83
8 x 6	4.0	6.0	.38	.34	101
8 x 8	5.0	6.0	.38	.36	115
10 x 4	6.0	6.0	.38	.38	128
10 x 6	5.0	7.0	.40	.36	143
10 x 8	6.0	7.0	.40	.38	155
10 x 10	7.0	7.0	.40	.40	168
12 x 6	5.0	8.5	.42	.36	187
12 x 8	6.0	8.5	.42	.38	197
12 x 10	7.0	8.5	.42	.40	207
12 x 12	8.5	8.5	.42	.42	241

All fittings furnished with gaskets, cement lined and tar coated in accordance with AWWA/ANSI C104/A21.4 unless otherwise specified.

1460, Livingston Avenue (Building #300)
North Brunswick, New Jersey 08902
Ph : 732-745-7900, Fax : 732-745-7903

8730, Ley Road
Houston, Texas - 77028
Ph : 713-633-1063, Fax : 713-633-1896

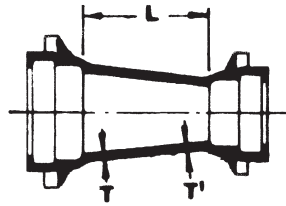
Capitol Foundry of Va.Inc
2856 Crusader Circle, Virginia Beach Va. 23453
Ph. : 757-427-9431, Fax : 757-427-9308

Toll Free: 888-506-6217, Phone: 732-745-7900 Fax: 732-745-7903, E-mail : sales@nacipinc.com, Website : www.nacipinc.com

NORTH AMERICAN CAST IRON PRODUCTS

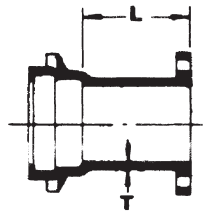
4" - 12" COMPACT DUCTILE IRON PUSH-ON JOINT FITTINGS

REDUCERS



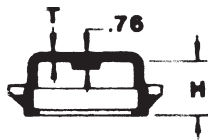
SIZE	L	T	T1	WGT. (lbs.)
6 x 4	4.0	.36	.34	43
8 x 4	5.0	.38	.34	52
8 x 6	4.0	.38	.36	62
10 x 6	5.0	.40	.36	80
10 x 8	4.0	.40	.38	92
12 x 6	7.0	.42	.36	96
12 X 8	5.0	.42	.38	101
12 X 10	4.0	.42	.40	115

ADAPTERS

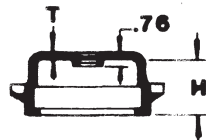


SIZE	L	T	WGT. (lbs.)
4	3.5	.34	30
6	3.5	.36	47
8	3.5	.38	59
10	3.5	.40	84
12	3.5	.42	104

CAPS



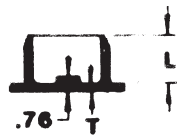
SOLID CAP



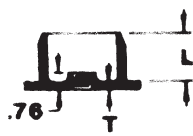
2" NPT TAPPED PLUG

SIZE	H	T	WGT. (lbs.)
4	2.64	.36	12
6	2.52	.48	17
8	2.84	.66	28
10	3.30	.70	32
12	3.49	.76	38

PLUGS



SOLID PLUG



2" NPT TAPPED PLUG

SIZE	H	T	WGT. (lbs.)
4	3.50	.36	10
6	3.50	.48	18
8	3.50	.66	25
10	3.50	.70	34
12	3.50	.76	45

GASKETS



SIZE	WGT. (lbs.)
4	0.4
6	0.6
8	0.7
10	0.9
12	1.0

All fittings furnished with gaskets, cement lined and tar coated in accordance with AWWA/ANSI C104/A21.4 unless otherwise specified.

1460, Livingston Avenue (Building #300)
North Brunswick, New Jersey 08902
Ph : 732-745-7900, Fax : 732-745-7903
Toll Free: 888-506-6217, Phone: 732-745-7900 Fax: 732-745-7903, E-mail : sales@nacipinc.com, Website : www.nacipinc.com

8730, Ley Road
Houston, Texas - 77028
Ph : 713-633-1063, Fax : 713-633-1896

Capitol Foundry of Va.Inc
2856 Crusader Circle, Virginia Beach Va.23453
Ph. : 757-427-9431, Fax : 757 -427-9308

NORTH AMERICAN CAST IRON PRODUCTS



PRODUCT LINES

Fittings:

- C-153 MJ Fittings (3" - 48")
- C-110 MJ Fittings (2" - 48")
- C-153 Push-On Fittings (4" - 12")
- Flanged Fittings (3" - 64")
- 250# Heavy Flanged Fittings (3" - 48")

Fabricator Products:

- Threaded Flanges (3" - 64")
- High Hub Tapt Flanges (3" - 42")
- 250# Threaded Flanges (3" - 36")
- Wall Collars/Anchor Flanges (3" - 48")
- Adapter Flanges (3" - 36")
- Filler Flanges (Any Configuration)

Castings:

- Valve, Meter & Service Boxes
- Manhole Covers, Frames & Grates

Custom Fittings:

- Any Size, Configuration or Coating
- Other Municipal Castings

Accessories:

- MJ Accessory Sets
- Retainer Glands
- MJ Bolt and MJ Valve Packs
- Adapter Flanges



1460, Livingston Avenue (Building #300), North Brunswick, New Jersey 08902

Phone: 732-745-7900 Fax: 732-745-7903

E-mail : sales@nacipinc.com, Website : www.nacipinc.com